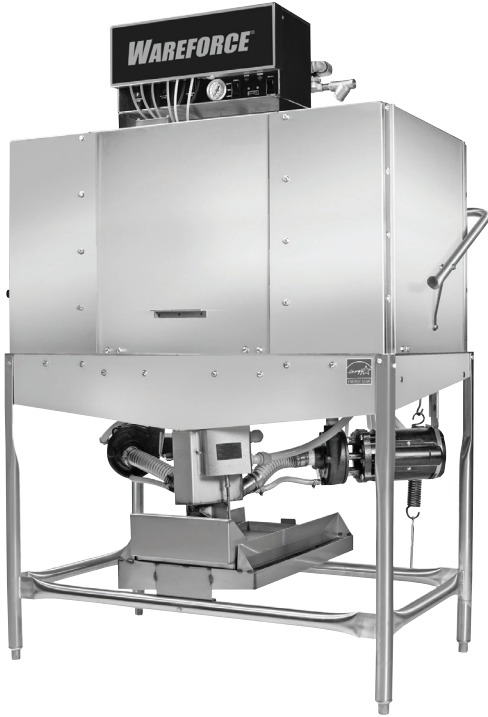


WAREFORCE® II

Project _____
Item _____
Quantity _____
CSI Section 11400 _____
Approval _____
Date _____

Models

WAREFORCE II WAREFORCE II - CMR WAREFORCE II - CML



Standard Features

- Electromechanical timer
- Built in waste accumulator
- 3" (76mm) stainless steel adjustable bullet feet
- Delimer switch for easy removal of hard water deposits
- Removable scrap screen
- Air gap instead of vacuum breaker
- Door switch
- Convenient top mounted controls
- Auto start
- Interchangeable upper and lower stainless steel wash / rinse arms
- Internal sump saves space
- Wash / rinse thermometer
- Low product indicator light

Mandatory Specs

Specify voltage _____

Options

- Solid Bowl Dispenser
- Water Hammer Arrestor
- Scaltrol
- Flanged Feet
- Audible Low Product Alarm

Accessories

- 36-Compartment Rack
 - 4-1/8" tall (105 mm)
 - 5-5/8" tall (143 mm)
 - 7" tall (178 mm)
- Combination Rack
- Peg Rack

Specifications

Uses 1.17 gallons (4.43 liters) of water per rack

74 racks per hour

Single point electrical connection

Self-draining stainless steel pump eliminates soil/detergent carryover between wash and rinse cycles

Dump and fill feature disposes of dirty water, replacing it with a fresh water rinse every cycle

Dual-point drain connections allow for versatile installations

17-1/4" (438mm) vertical inside clearance

Built-in chemical pumps and priming switches

Accommodates 2 racks side by side

Durable stainless steel construction



Intertek



WAREFORCE®

WAREFORCE® II - CML

LEGEND:
 A - Electrical connection
 B - Water inlet 1/2" I.P.S
 C - Drain connection 2" I.P.S
 All vertical dimensions are +/- 1/2" from floor due to adjustable bullet feet.

Legend
 A - Electrical Connection
 B - Water Connection, 1/4"
 2 1/2 [545mm]

Bowl Option - Front Side View

Bowl Option - Right Side View

POWER REQUIREMENTS		
MODEL NO.	ELECTRICAL REQUIREMENT	SERVICE BREAKER SIZE
WAREFORCE II - CML	115v/60~1ø-22.8A	30A

WATER REQUIREMENTS		
	MINIMUM	RECOMMENDED
Inlet Temperature	120°F 49°C	140°F 60°C
Wash Operating Temperatures	120°F 49°C	140°F 60°C
Rinse Operating Temperatures	120°F 49°C	140°F 60°C

PERFORMANCE CAPABILITIES	
Flow Pressure(PSI)	15-25
Wash Pump Motor Horsepower	3/4
Pump Capacity (GPM)	55
Minimum Chlorine Required (PPM)	50

MODEL NO.	MACHINE DIMENSIONS			DRAIN HEIGHT	SHIPPING INFORMATION					
	HEIGHT	WIDTH	DEPTH		WEIGHT	CLASS	CUBE	HEIGHT	WIDTH	DEPTH
WAREFORCE II - CML	68-1/2" (1740 mm)	48-1/2" (1232 mm)	25" (635 mm)	12" (305 mm)	560 lbs (254 kg)	92.5	74.5 cu. ft.	78" (1981 mm)	55" (1397 mm)	30" (762 mm)

HOW TO SPECIFY: WAREFORCE II - CML

WAREFORCE®

Shipping Address: 6209 North U.S. Highway 25E, Gray, KY 40734
 Mailing Address: P.O. Box 1060, Barbourville, KY 40906
 Telephone: 888-800-5672 • Fax: 606-523-1799
 Email: info@jacksonwvs.com
 07610-003-68-71 [13-03-15]

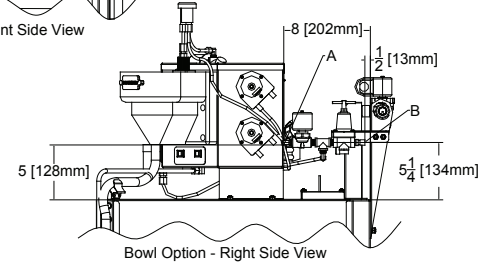
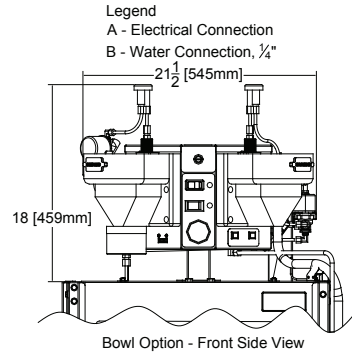
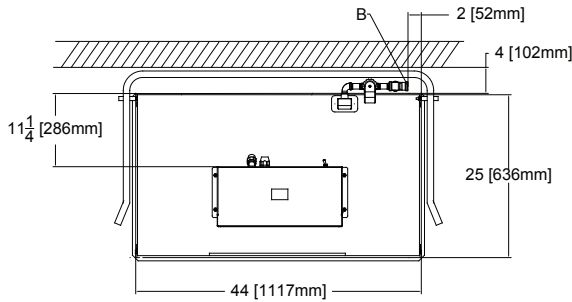
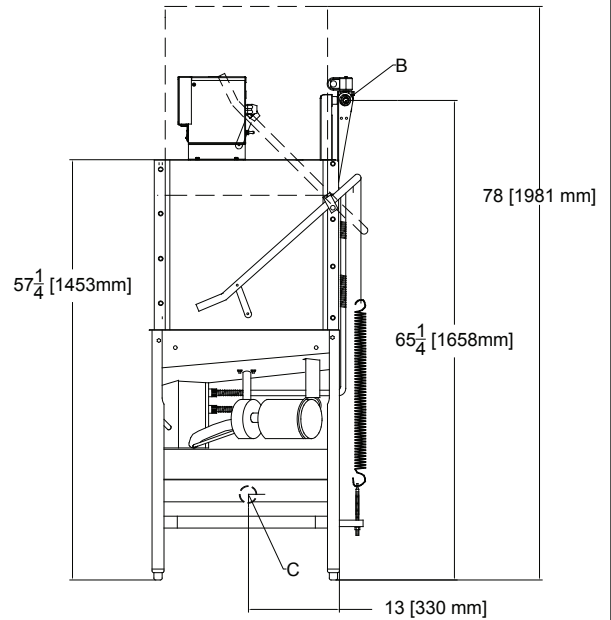
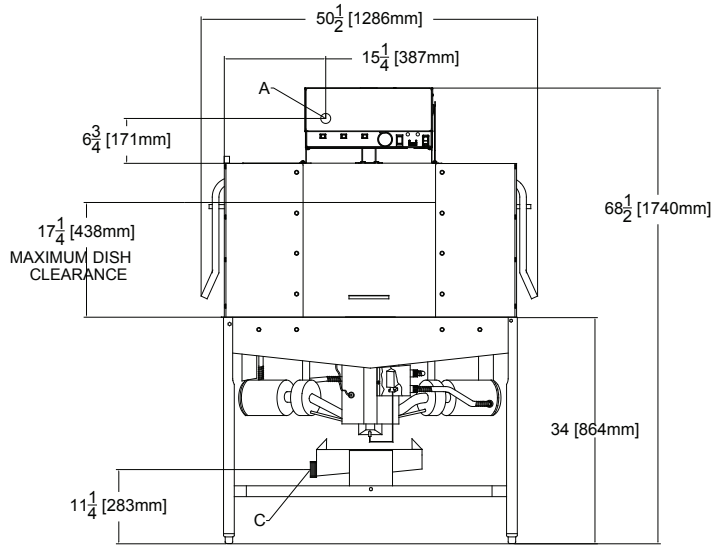
We reserve the right to change specifications in this bulletin without incurring any obligation for equipment previously or subsequently sold.

WAREFORCE® II

LEGEND:

- A - Electrical connection
- B - Water inlet 1/2" I.P.S
- C - Drain connection 2" I.P.S

All vertical dimensions are +/- 1/2" from floor due to adjustable bullet feet.



POWER REQUIREMENTS		
MODEL NO.	ELECTRICAL REQUIREMENT	SERVICE BREAKER SIZE
WAREFORCE II	115v/60~1ø-22.8A	30A

WATER REQUIREMENTS		
	MINIMUM	RECOMMENDED
Inlet Temperature	120° F 48.9° C	140° F 60° C
Wash Operating Temperatures	120° F 48.9° C	140° F 60° C
Rinse Operating Temperatures	120° F 48.9° C	140° F 60° C

PERFORMANCE CAPABILITIES	
Flow Pressure (PSI)	15-25
Wash Pump Motor Horsepower	3/4
Pump Capacity (GPM)	55
Minimum Chlorine Required (PPM)	50

MODEL NO.	MACHINE DIMENSIONS			DRAIN HEIGHT	SHIPPING INFORMATION					
	HEIGHT	WIDTH	DEPTH		WEIGHT	CLASS	CUBE	HEIGHT	WIDTH	DEPTH
WAREFORCE II	68-1/2" (1740 mm)	50-1/2" (1286 mm)	25" (635 mm)	11-1/4" (283 mm)	560 lbs (254 kg)	92.5	74.5 cu. ft.	78" (1981 mm)	55" (1397 mm)	30" (762 mm)

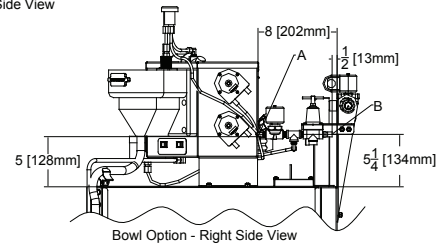
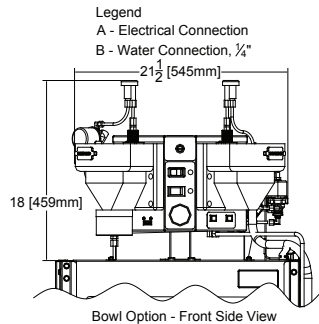
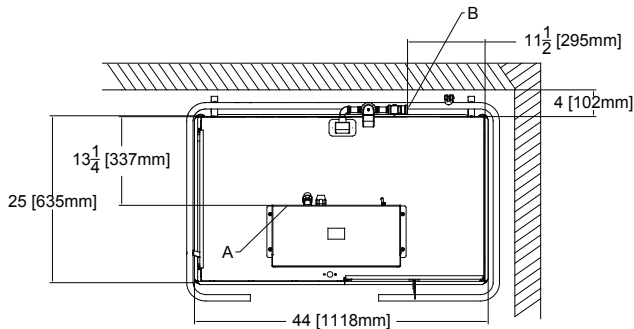
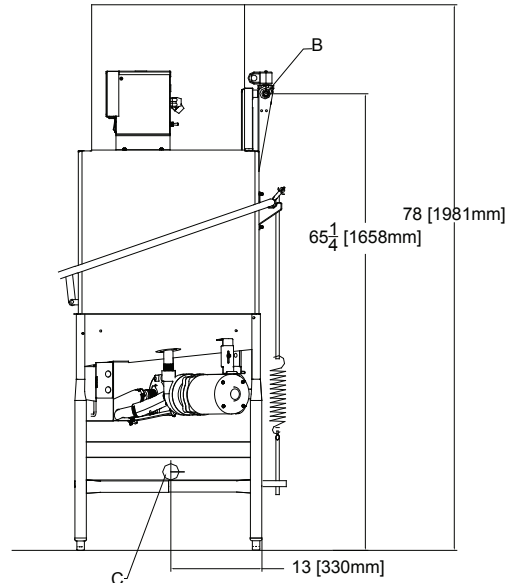
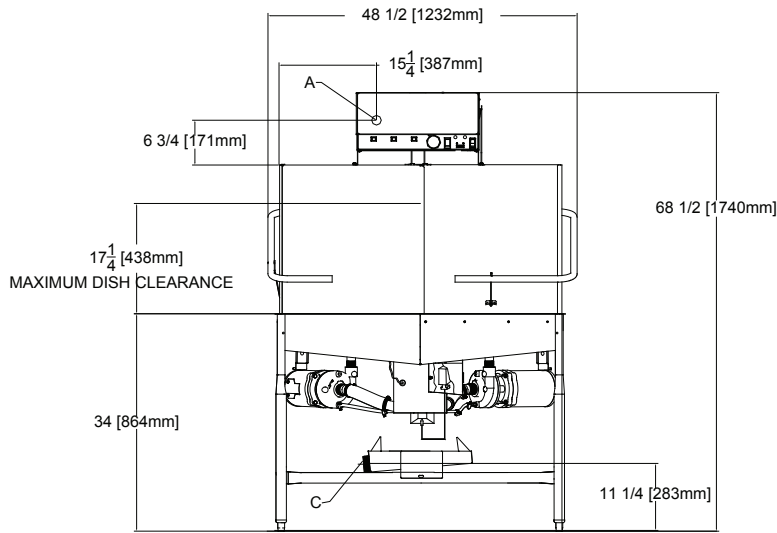
HOW TO SPECIFY: WAREFORCE II

WAREFORCE® II - CMR

LEGEND:

- A - Electrical connection
- B - Water inlet 1/2" I.P.S
- C - Drain connection 2" I.P.S

All vertical dimensions are +/- 1/2" from floor due to adjustable bullet feet.



POWER REQUIREMENTS		
MODEL NO.	ELECTRICAL REQUIREMENT	SERVICE BREAKER SIZE
WAREFORCE II - CMR	115v/60~1ø-22.8A	30A

WATER REQUIREMENTS		
	MINIMUM	RECOMMENDED
Inlet Temperature	120°F 49°C	140°F 60°C
Wash Operating Temperatures	120°F 49°C	140°F 60°C
Rinse Operating Temperatures	120°F 49°C	140°F 60°C

PERFORMANCE CAPABILITIES	
Flow Pressure (PSI)	15-25
Wash Pump Motor Horsepower	3/4
Pump Capacity (GPM)	55
Minimum Chlorine Required (PPM)	50

MODEL NO.	MACHINE DIMENSIONS			DRAIN HEIGHT	SHIPPING INFORMATION					
	HEIGHT	WIDTH	DEPTH		WEIGHT	CLASS	CUBE	HEIGHT	WIDTH	DEPTH
WAREFORCE II - CMR	68-1/2" (1740 mm)	48-1/2" (1232 mm)	25" (635 mm)	11-1/4" (283 mm)	560 lbs (254 kg)	92.5	74.5 cu. ft.	78" (1981 mm)	55" (1397 mm)	30" (762 mm)

HOW TO SPECIFY: WAREFORCE II - CMR